

MTP/MPO Breakout Cables SM/MM



Overview

MTP/MPO breakout assemblies are used in parallel optics and duplex transmission cross connect systems to increase cable density between switch and server cabinets. Designed for high-density fiber patching in data centers, MTP/MPO breakout cables ensure peak performance throughout your local area network.

MTP/MPO breakout cables are built with highest quality components. Standard as well as low loss elite versions are offered featuring low insertion loss for demanding high speed networks where power budgets are critical.

Features

- ◆ MPO / MTP connector interface patch cord.
- ◆ LC, SC, FC, ST, E2000 connectors are available
- ◆ OS2, OM3, OM4 fiber modes (OM1 and OM2 available)
- ◆ It is performance met with GR-326-CORE
- ◆ Choices of different cable structure to cater for different installation needs.
- ◆ Available in 4/8/12/24/48 cable fibers from round or ribbon optical cable.
- ◆ Improves and simplifies fiber routing, decreases fiber management space.
- ◆ Comply with IEC 61754-7, GR-1435-CORE, RoHS.

Applications

- ◆ Data Centre Infrastructure
- ◆ Storage Area Network – Fiber Channel
- ◆ Parallel Optics
- ◆ 10Gbps, 25Gbps and emerging 40Gbps, 100Gbps Protocols

Ordering Information

Part Number	Product Description
SLP-MTP-8LC-MM-xM	Patch cord MTP/PC to 8LC MM 8core OM3 Female
SLP-MPO-8LC-MM-xM	Patch cord MPO/PC to 8LC MM 8core OM3 Female
SLP-MTP-8LC-SM-xM	Patch cord MTP/APC to 8LC SM 8core OM3 Female
SLP-MPO-8LC-SM-xM	Patch cord MPO/APC to 8LC SM 8core OM3 Female

Note:

xM = Cable Length in meter – 1M, 2M, 3M, etc...

Product Specification

Product Specifications		
Fiber Count		8 ~ 144 Fibers
Fiber Mode	Single Mode	OS2 9/125 μ m
	Multi Mode	OM4 50/125 μ m OM3 50/125 μ m OM2 50/125 μ m OM1 62.5/125 μ m
Connector A		MTP Female, Male
		MPO Female, Male
Connector B		LC, SC, FC, ST, E2000
Polish Type	Single Mode	PC, APC, UPC
	Multi Mode	PC
Cable Jacket ratings		Plenum (OFNP) Low Smoke Zero Halogen (LSZH) Riser (PVC)
Cable Jacket ratings		Bunch, Ribbon
Cable Diameter		3.0 mm
Breakout Leg		2.0/0.9 mm
Breakout Length		0.5 mm
Minimum Bend Radius	Single Mode	10.0 mm
	Multi Mode	7.5 mm

Technical Specification

		Single Mode	Multi Mode
Operating Temperature		-10°C to +70°C	
Operating Temperature		-40°C to +85°C	
MTP/ MPO			
Attenuation (dB/km)		≤ 0.32 at 1310nm ≤ 0.18 at 1550nm	≤ 2.3 at 850nm ≤ 0.6 at 1300nm
Insertion Loss (dB)	Elite / Low	≤ 0.35 dB (0.25dB Typical)	≤ 0.35 dB (0.2dB Typical)
	Standard	≤ 0.75 (0.5dB Typical)	≤ 0.5 (0.35dB Typical)
Return Loss (dB)	APC	≥ 55	
	PC	≥ 45	≥ 20
LC/SC/FC/ST			
Insertion Loss (dB)		< 0.2	< 0.3
Return Loss (dB)	PC	> 50	> 40
	UPC	> 55	
	APC	> 65	

Color Codes

Connector Type	Cable Jackets	Connectors	Boots
MTP	OS2: Yellow OM4: Magenta OM3: Aqua OM2/OM1: Orange	OS2: Green OM4/OM3: Aqua OM2/OM1: Beige	8 Fibers: Grey 12 Fibers: Black 24 Fibers: Red
MPO	OS2: Yellow OM4: Magenta OM3: Aqua OM2/OM1: Orange	OS2: Green OM4/OM3: Aqua OM2/OM1: Beige	8/12/24 Fibers: Black
LC	OS2: Yellow OM4: Magenta OM3: Aqua OM2/OM1: Orange	Single mode: UPC Blue, APC Green Multimode: Beige	Single mode: UPC White, APC Green Multimode: Beige

Assembly drawing

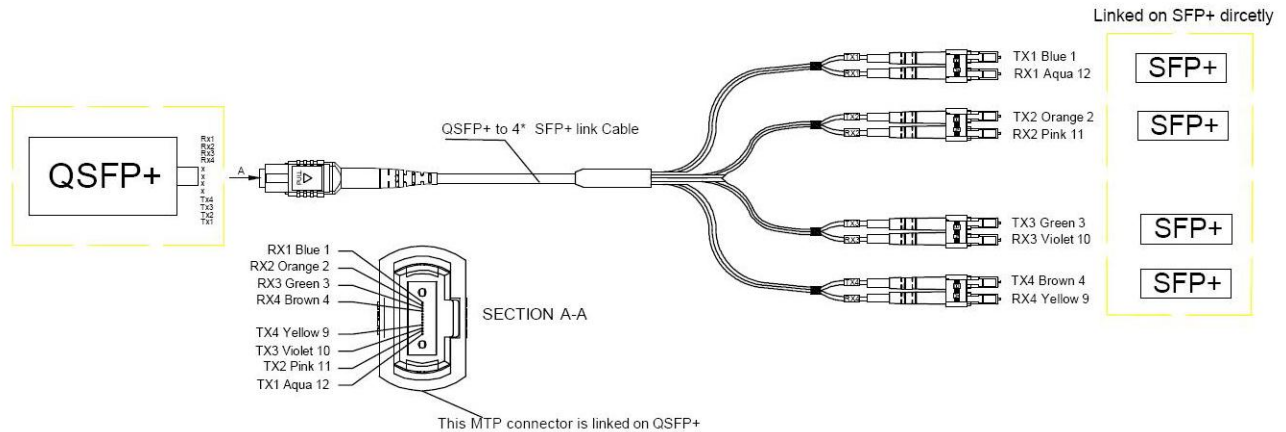


Figure1. Assembly drawing for 8 cores MTP/MPO-8LC

Standards Compliance

- ◆ ROHS and ISO9001 Compliant
- ◆ EIA/TIA, Telecordia GR-326-CORE Standards
- ◆ IEC61754-7
- ◆ TIA 605-4 (FOCIS 5)
- ◆ YD/T1272.5

Shenzhen Sourcelight Technology Co., Ltd

Sourcelight Technology reserves the right to make changes to or discontinue any optical link product or service identified in this document without notice in order to improve design and/or performance. If you have any question regarding this specification sheet, please contact our sales representative or send email to sales@sourcelight.com.cn