

10G SFP+ DAC Active Copper Cable

SLSS-10AC-XX



Overview

The SFP+ active cable assemblies are high performance, cost effective I/O solutions for 10Gb Ethernet and 10G Fiber Channel applications. SFP+ copper modules allow hardware manufactures to achieve high port density, configurability and utilization at a very low cast and reduced power budget.

The high speed cable assemblies meet and exceed Gigabit Ethernet and Fiber Channel industry standard requirements for performance and reliability.

Features

- ◆ Support for multi-gigabit data rates up to 10 Gb/s
- ◆ Data rates backward compatible to 1 Gb/s
- ◆ Hot-pluggable SFP 20PIN footprint
- ◆ Improved Pluggable Form Factor(IPF) compliant for enhanced EMI/EMC performance
- ◆ Low Power Consumption < 0.2W
- ◆ Power Supply :+3.3V
- ◆ Compatible to SFP+ MSA
- ◆ Compatible to SFF-8431,SFF8432
- ◆ Temperature Range: 0~ 70 °C
- ◆ RoHS Compatible

Applications

- ◆ High capacity I/O in Storage Area Networks, Network Attached Storage, and Storage Servers
- ◆ Switched fabric I/O such as ultra-high bandwidth switches and routers
- ◆ Data center cabling infrastructure
- ◆ High density connection between network equipment

Ordering Information

Part Number	Product Description
SLSS-10AC-XX	SFP+ 10Gbps, DAC Active Copper Cable, Up To 10m , 0°C ~ +70°C
XX: 01~10, 1~10	Length in meters. (1~5M for 30AWG; 6~10M for 24AWG)

Datasheet
Recommended Operating Conditions

Parameter	Symbol	Min	Typical	Max	Unit
Storage Ambient Temperature		-40		+85	°C
Operating Case Temperature	Tc	0		+70	°C
Power Supply Voltage	V _{CC3}	3.14	3.3	3.47	V
Power Dissipation	PD			0.2	W

Systems

Performance	Media	Operating parameters
10Gb/s line speed, full duplex Bit error rate: better than 10E-12	Hot-pluggable, industry-standard Small Form-Factor Pluggable(SFP+) copper cable, available max 15m	Supply voltage: 3.3V Power consumption(per end): max 0.2W

Pin Descriptions

Pin	Logic	Symbol	Name/Description	Notes
1		VeeT	Transmitter Ground	
2	LV-TTL-O	TX_Fault	N/A	1
3	LV-TTL-I	TX_DIS	Transmitter Disable	2
4	LV-TTL-I/O	SDA	Tow Wire Serial Data	
5	LV-TTL-I	SCL	Tow Wire Serial Clock	
6		MOD_DEF0	Module present, connect to VeeT	
7	LV-TTL-I	RS0	N/A	1
8	LV-TTL-O	LOS	LOS of Signal	2
9	LV-TTL-I	RS1	N/A	1
10		VeeR	Reciever Ground	
11		VeeR	Reciever Ground	
12	CML-O	RD-	Reciever Data Inverted	
13	CML-O	RD+	Reciever Data Non-Inverted	
14		VeeR	Reciever Ground	
15		VccR	Reciever Supply 3.3V	
16		VccT	Transmitter Supply 3.3V	
17		VeeT	Transmitter Ground	
18	CML-I	TD+	Transmitter Data Non-Inverted	
19	CML_I	TD-	Transmitter Data Inverted	
20		VeeT	Transmitter Ground	

Notes:

1. Signals not supported in SFP+ Copper pulled-down to VeeT with 30K ohms resistor
2. Passive cable assemblies do not support LOS and TX_DIS

Mechanical Dimensions

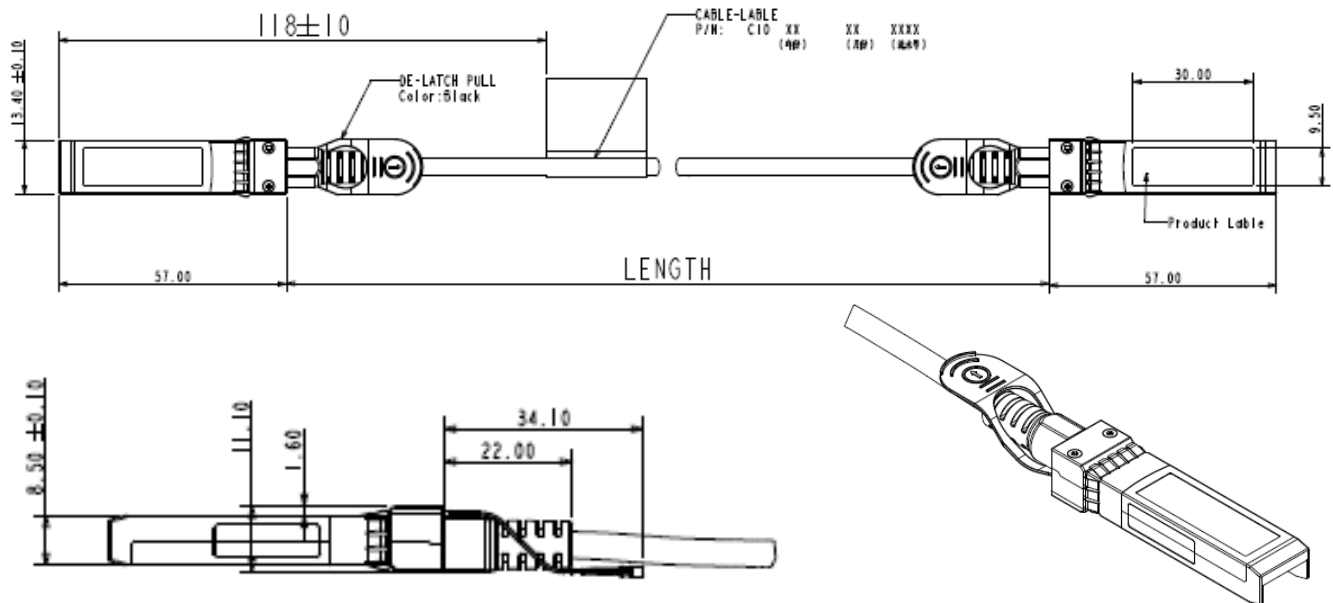


Figure1. Mechanical Specifications

References

1. Improved Pluggable Form Factor(IPF) compliant for enhanced EMI/EMC performance
2. Compatible to SFP+ MSA
3. Compatible to SFF-8431,SFF-8432

Shenzhen Sourcelight Technology Co., Ltd

Sourcelight Technology reserves the right to make changes to or discontinue any optical link product or service identified in this document without notice in order to improve design and/or performance. If you have any question regarding this specification sheet, please contact our sales representative or send email to sales@sourcelight.com.cn