

## XFP 10G 1550nm 40Km ER


SLXF-1055-ER



### Description

Sourcelight 40km XFP SLXF-1055-ER transceiver comply with XFP 4.5MSA, and can support diverse applications for SDH/SONET equipment including FEC (9.95Gb/s to 10.7Gb/s), as well as Ethernet LAN (10.325Gb/s) and WAN (9.95Gb/s) applications. The high performance cooled 1550nm cooled EML transmitter and high sensitivity PIN receiver. Sourcelight XFP transceiver provides an enhanced monitoring interface, which allows real-time access to device operating parameters such as transceiver temperature, laser bias current, transmitted optical power, received optical power, and transceiver supply voltage.

### Features

- ◆ XFP MSA Rev 4.5 Compliant
- ◆ Data rate from 9.95Gbps to 11.3Gbps
- ◆ No Reference Clock required
- ◆ Cooled 1550nm EML and PIN receiver
- ◆ link length up to 40km
- ◆ +1.8V,+3.3V,+5V Supply Voltage
- ◆ Low Power Dissipation 3.5W Maximum
- ◆ XFI and lineside loopback Mode Supported
- ◆ -5°C to 70°C Operating Case Temperature
- ◆ Diagnostic Performance Monitoring of module temperature,
- ◆ Supply Voltages, laser bias current, transmit optical power, and receive optical power
- ◆ RoHS6 compliant (lead free) 

### Applications

- ◆ SONET OC-192&SDH STM 64 (with/with out FEC)
- ◆ 10GBASE ER/EW (with/with out FEC)
- ◆ 10G Fiber Channel

### Ordering information

Part Number	Product Description
SLXF-1055-ER	1550nm, 10Gbps, XFP 40km, -5°C ~ +70°C

## Module Block Diagram

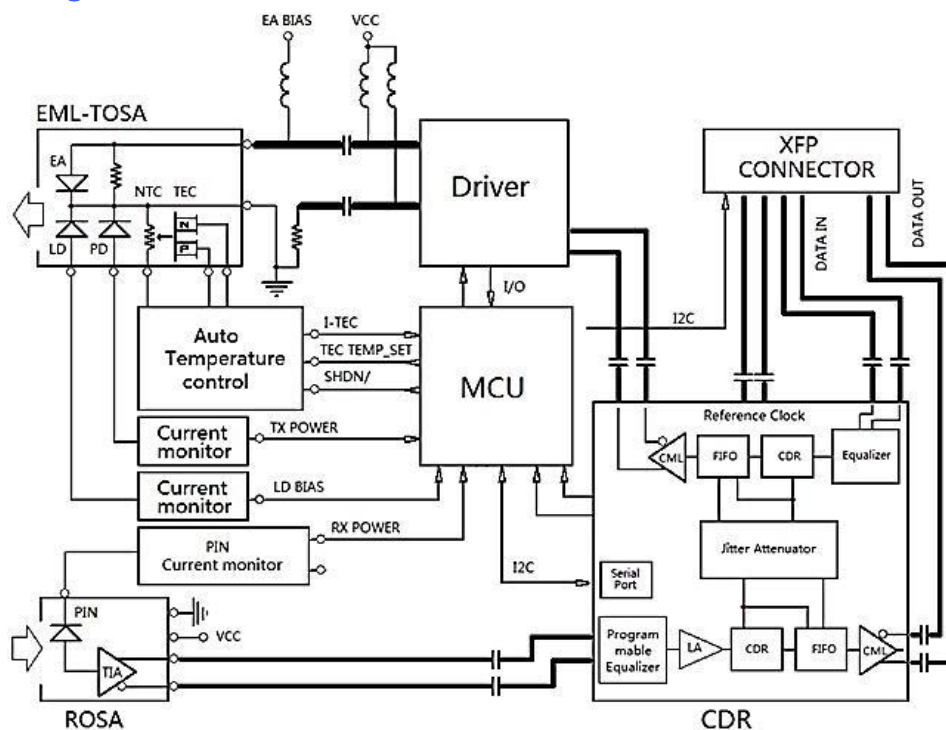


Figure1. Module Block Diagram

## Absolute Maximum Ratings

Parameter	Symbol	Min	Max	Unit
Supply Voltage 1	Vcc3	-0.5	4.0	V
Supply Voltage 2	Vcc5	-0.5	6.0	V
Supply Voltage 3	Vcc2	-0.5	2	V
Storage Temperature	Tst	-40	85	°C
Case Operating Temperature	Top	-5	70	°C

## Operating Conditions

Parameter	Symbol	Min	Typical	Max	Unit
Supply Voltage 1	Vcc3	3.13	3.3	3.47	V
Supply current 1	Icc3	-	-	380	mA
Supply Voltage 2	Vcc5	4.75	5	5.25	V
Supply current 2 [1]	Icc5	-	-	350	mA
Supply Voltage 3	Vcc2	1.71	1.8	1.89	V
Supply current 3	Icc2	-	-	680	mA
Operating Case temperature	Tca	-5	-	70	°C
Module Power Dissipation	Pm	-	2.5	3.5[1]	W

### Note:

1. Maximum total power value is specified across the full temperature and voltage range.

**Datasheet**
**Transmitter Specifications – Optical**

Parameter	Symbol	Min	Typical	Max	Unit
Center Wavelength	$\lambda_c$	1530		1565	pm
Optical Transmit Power	Po	-1	-	+2	dBm
Optical Modulation Amplitude	OMA	-2.1			
Optical Transmit Power (disabled)	PTX_DIS	-	-	-30	dBm
Extinction Ratio	ER	8.2	-	-	dB
Jitter Generation(P-P)	JG P-P	-	-	0.1	UI
Jitter Generation(RMS)	JG RMS	-	-	0.01	UI
Spectral Width (-20dB)	$\Delta\lambda_{20}$	-	-	0.3	nm
Side Mode Suppression Ratio	SMSR	30	-	-	dB
Dispersion penalty(800ps/nm) [2]	DP	-	-	2	dB
Relative Intensity Noise	RIN	-	-	-130	dB/Hz
Eye Mask	Compliant with ITU-T G.691 STM-64 eye mask				

**Note:**

1. Wavelength stability is achieved within 60 seconds (max) of power up.
2. BER=10<sup>-12</sup>; PRBS 2<sup>31</sup>-1@9.95Gbps.

**Transmitter Specifications – Electrical**

Parameter	Symbol	Min	Typical	Max	Unit
Input differential impedance	Rim	-	100	-	$\Omega$
Differential data Input	VtxDIFF	120	-	850	mV
Transmit Disable Voltage	VD	2.0	-	Vcc3+0.3	V
Transmit Enable Voltage	Ven	0	-	+0.8	V
Transmit Disable Assert Time	Vn	-	-	10	us

**Receiver Specifications – Optical**

Parameter	Symbol	Min	Typical	Max	Unit
Input Operating Wavelength	$\lambda$	1270	-	1600	nm
Receiver sensitivity 9.95~10.7Gbps[1]	Pavg	-	-	-16	dBm
Receiver sensitivity 10.1~11.3Gbps[1]	Pavg	-	-	-15	dBm
Receiver sensitivity in 10.3Gbps(OMA) [1]	Rsen1	-	-	-14.1	dBm
Stressed receiver sensitivity in 10.3Gbps(OMA)	Rsen2	-	-	-11.3	dBm
Maximum Input Power	RX-overload	-1	-	-	dBm
Reflectance	Rrx	-	-	-27	dB
LOS Asserted	Lsa	-28	-	-	dBm
LOS De-Asserted	Lda	-	-	-22	dBm
LOS Hysteresis	Lh	0.5	-	-	dB

**Note:**

1. BER=10<sup>-12</sup>; PRBS 2<sup>31</sup>-1@9.95Gbps~11.3Gbps.

## Datasheet

## Receiver Specifications – Electrical

Parameter	Symbol	Min	Typical	Max	Unit
Output differential impedance	Rom	-	100	--	$\Omega$
Differential Output Swing	Vout P-P	350	-	850	mV
Rise/Fall Time [1]	Tr / Tf	24	-	40	ps
Loss of Signal –Asserted	VOH	2	-	Vcc3+0.3-	V
Loss of Signal –Negated	VOL	GND	-	GND+0.5	V

**Note:**

1. 20%-80%;

## Pin Descriptions

Pin	Logic	Symbol	Name/Description	Ref.
1		GND	Module Ground	1
2		VEE5	Optional -5.2 Power Supply – <b>Not required</b>	
3	LVTTTL-I	Mod-Desel	Module De-select; When held low allows the module to respond to 2-wire serial interface commands	
4	LVTTTL-O	Interrupt	Interrupt (bar); Indicates presence of an important condition which can be read over the serial 2-wire interface	2
5	LVTTTL-I	TX_DIS	Transmitter Disable; Transmitter laser source turned off	
6		VCC5	+5 Power Supply	
7		GND	Module Ground	1
8		VCC3	+3.3V Power Supply	
9		VCC3	+3.3V Power Supply	
10	LVTTTL-I	SCL	Serial 2-wire interface clock	2
11	LVTTTL- I/O	SDA	Serial 2-wire interface data line	2
12	LVTTTL-O	Mod_Abs	Module Absent; Indicates module is not present. Grounded in the module.	2
13	LVTTTL-O	Mod_NR	Module Not Ready;	2
14	LVTTTL-O	RX_LOS	Receiver Loss of Signal indicator	2
15		GND	Module Ground	1
16		GND	Module Ground	1
17	CML-O	RD-	Receiver inverted data output	
18	CML-O	RD+	Receiver non-inverted data output	
19		GND	Module Ground	1
20		VCC2	+1.8V Power Supply	
21	LVTTTL-I	P_Down/RST	Power Down; When high, places the module in the low power stand-by mode and on the falling edge of P_Down initiates a module reset Reset; The falling edge initiates a complete reset of the module including the 2-wire serial interface, equivalent to a power cycle.	
22		VCC2	+1.8V Power Supply	
23		GND	Module Ground	1
24	PECL-I	RefCLK+	Reference Clock non-inverted input, AC coupled on the host board	3
25	PECL-I	RefCLK-	Reference Clock inverted input, AC coupled on the host board	3
26		GND	Module Ground	1

Datasheet

27		GND	Module Ground	1
28	CML-I	TD-	Transmitter inverted data input	
29	CML-I	TD+	Transmitter non-inverted data input	
30		GND	Module Ground	1

Notes:

1. Module circuit ground is isolated from module chassis ground within the module.
2. Open collector; should be pulled up with 4.7k – 10k ohms on host board to a voltage between 3.15V and 3.6V.
3. Reference Clock input is not required.

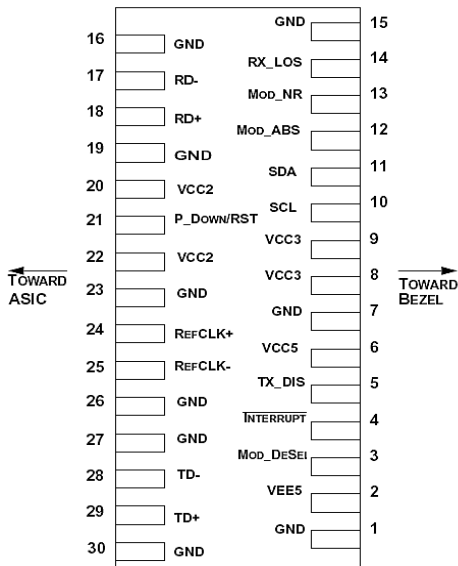


Figure 2: Electrical Pin-out Details

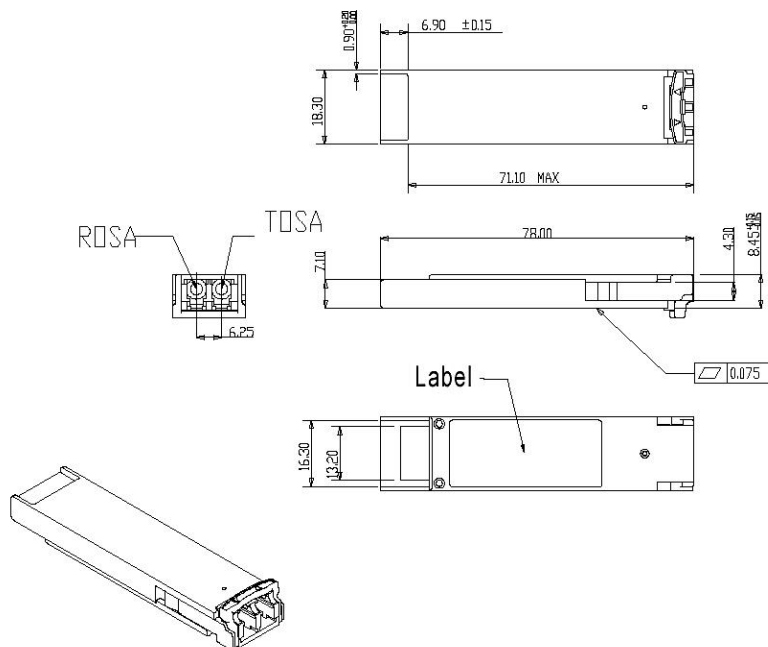


Figure3. Mechanical Specifications

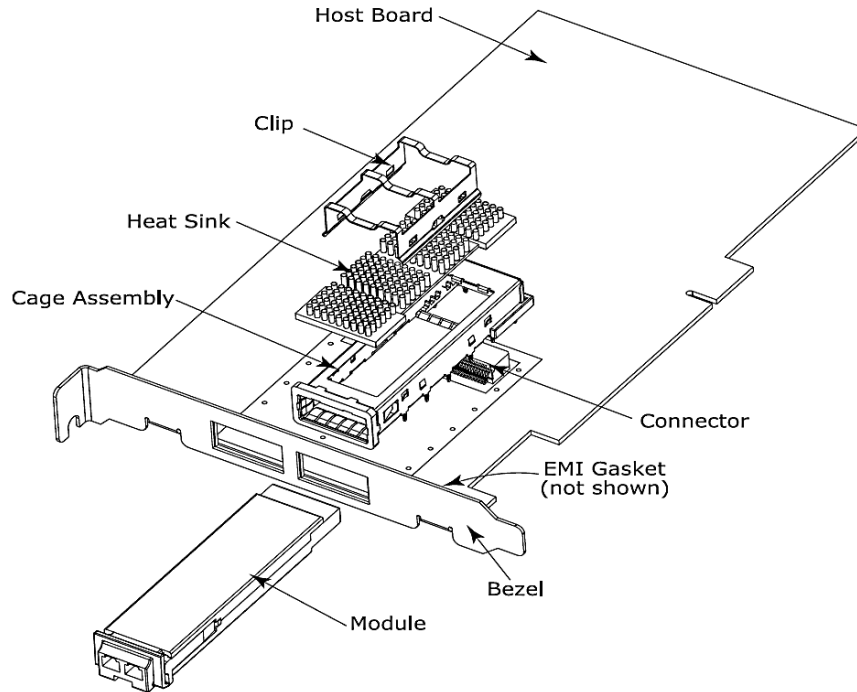


Figure3. XFP Mechanical Components

**The mechanical components defined:**

1. The module, clip and connector dimensions are constant for all applications. While the bezel, cage assembly, EMI gasket and heat sink can be designed and/or adjusted for the individual application.
2. The relatively small form factor of the XFP module combined with an adaptable heatsink option allows host system design optimization of module location, heatsink shape/dimension/fins design, and airflow control. The module can be inserted and removed from the cage with the heat sink and clip attached.

**References**

1. 10 Gigabit Small Form Factor Pluggable Module (XFP) Multi-Source Agreement (MSA), Rev 4.5 – August 2005. Documentation is currently available at <http://www.xfpmsa.org/>
2. IEEE802.3ae – 2002
3. ITU-T G.709 / ITU-T G.959.1 <http://www.itu.int/>
4. Telcordia GR-253-CORE

**Shenzhen Sourcelight Technology Co., Ltd**

Sourcelight Technology reserves the right to make changes to or discontinue any optical link product or service identified in this document without notice in order to improve design and/or performance. If you have any question regarding this specification sheet, please contact our sales representative or send email to [sales@sourcelight.com.cn](mailto:sales@sourcelight.com.cn)